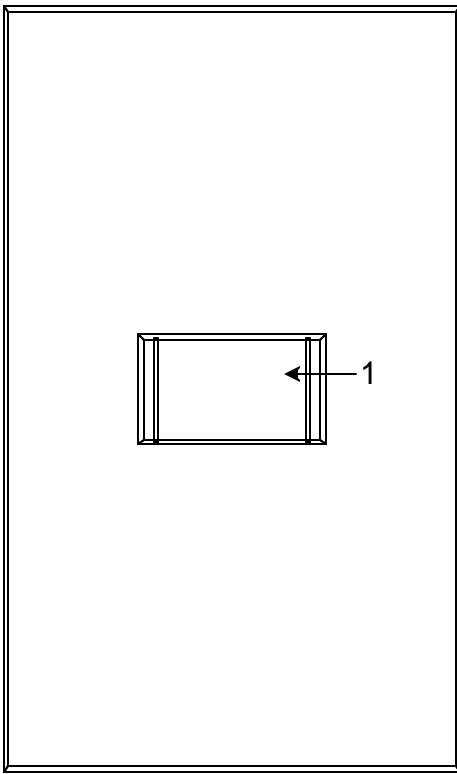


5000 SERIES WIRING DIAGRAM using a TPS-0120 and 2500-B



5001 SWITCH

*THE SWITCH COMMON CONNECTS TO THE TRANSVERTER.

*THE SWITCH LEED CONNECTS TO THE RELAY WIRE FOR SWITCHING

